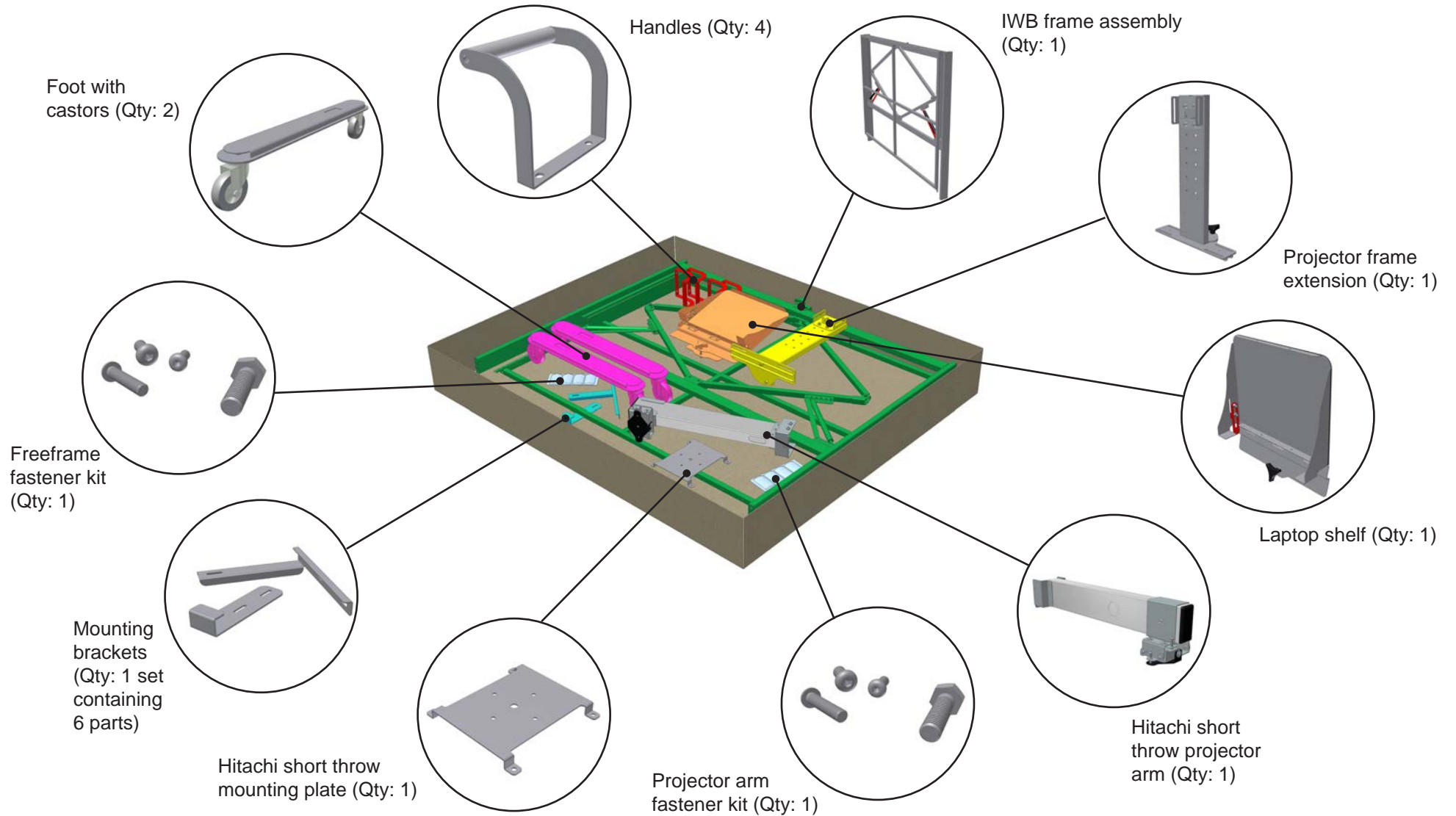


GILKON FREEFRAME

USER & INSTALLATION INSTRUCTIONS

Hitachi StarBoard FX DUO 77

CONTENTS OF PACKAGE



DO NOT RELEASE!



DO NOT RELEASE TRANSPORT BRACE BEFORE
INSTALLING THE PROJECTOR AND BOARD

Do not release brace
marked in red.



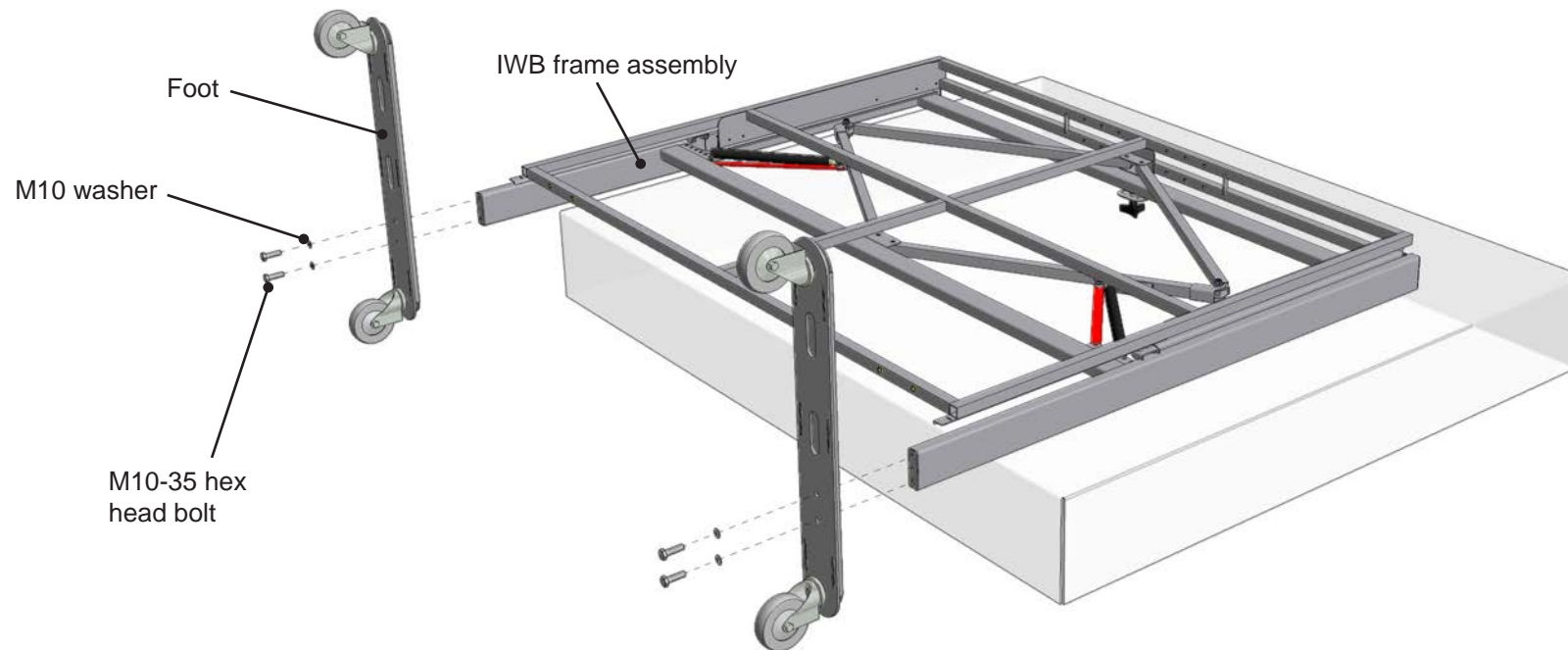
INSTALLATION

Part 1: Attach feet



TWO MEN OPERATION. WEIGHT EXCEEDS 15kg.

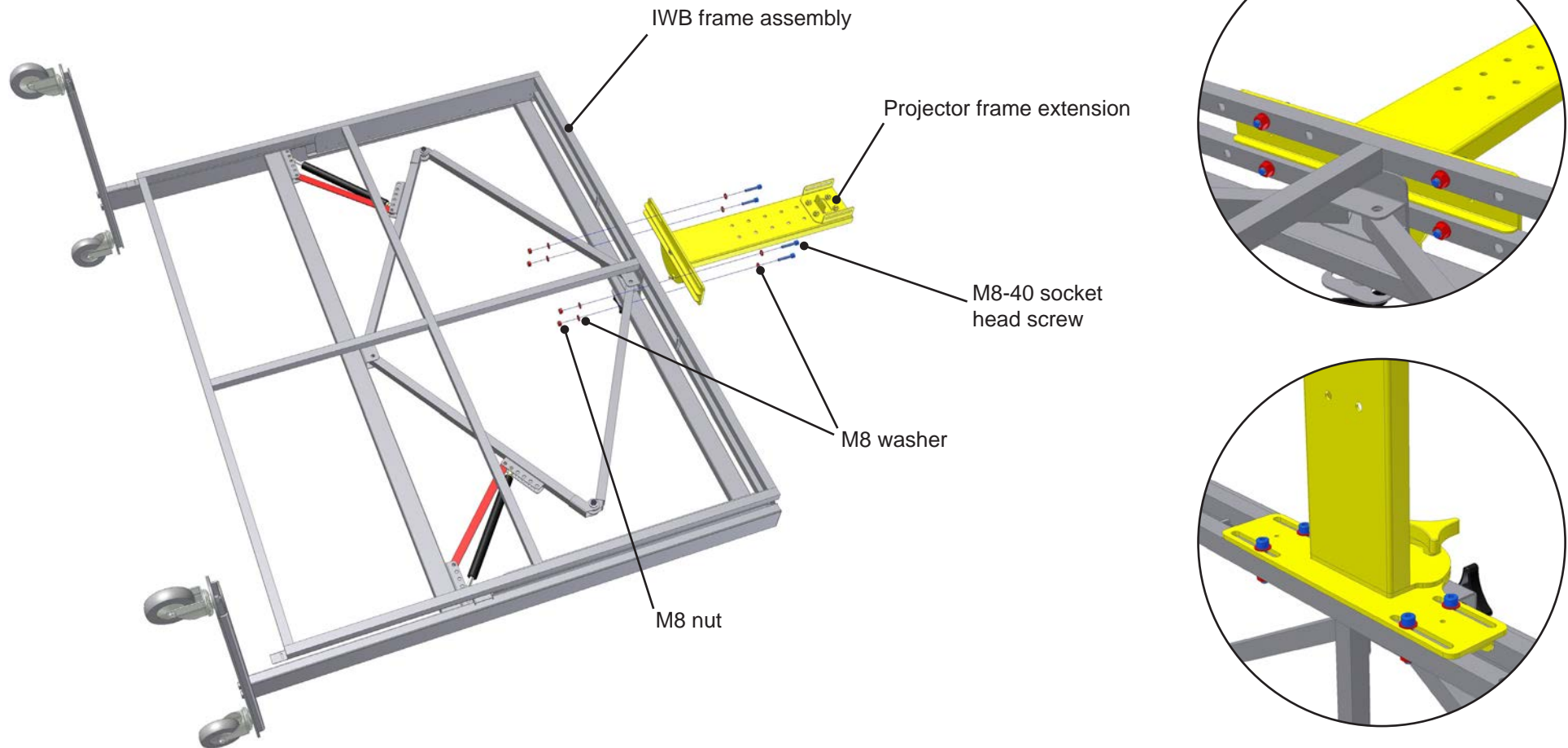
- 1 - Use carton supplied as a support for the frame assembly
- 2 - Attach feet to the uprights of the IWB frame assembly with M10-35 bolts supplied in fastener kit using supplied allen key.



INSTALLATION

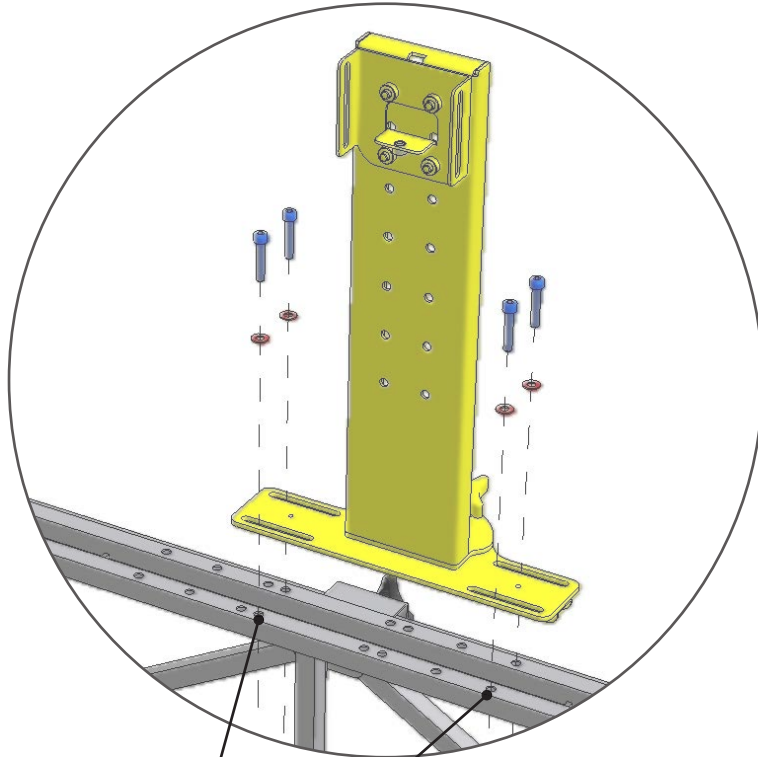
Part 2: Attach projector extension

3 - Loosely attach projector frame extension attachment to the IWB frame assembly with M8-40 socket head screws, M8 nut and washers supplied in fastener kit.

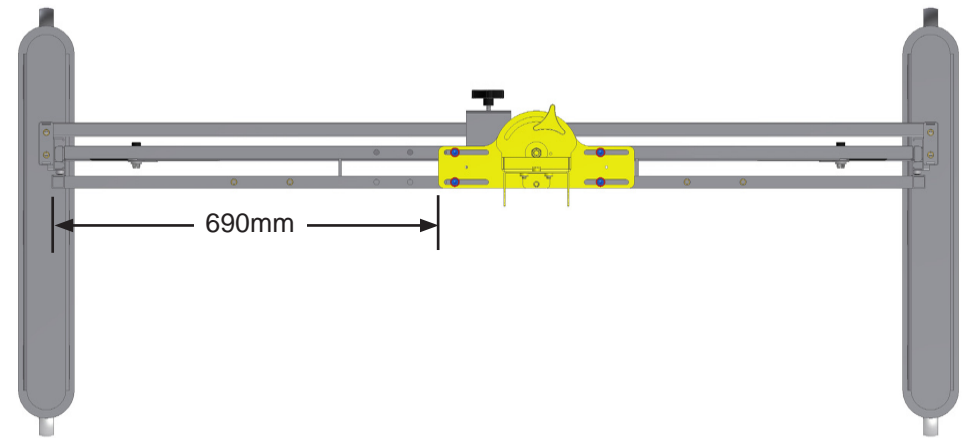


INSTALLATION

Part 3: Projector extension offset



Use these holes to set the projector to the correct offset position for the Hitachi short throw projector.



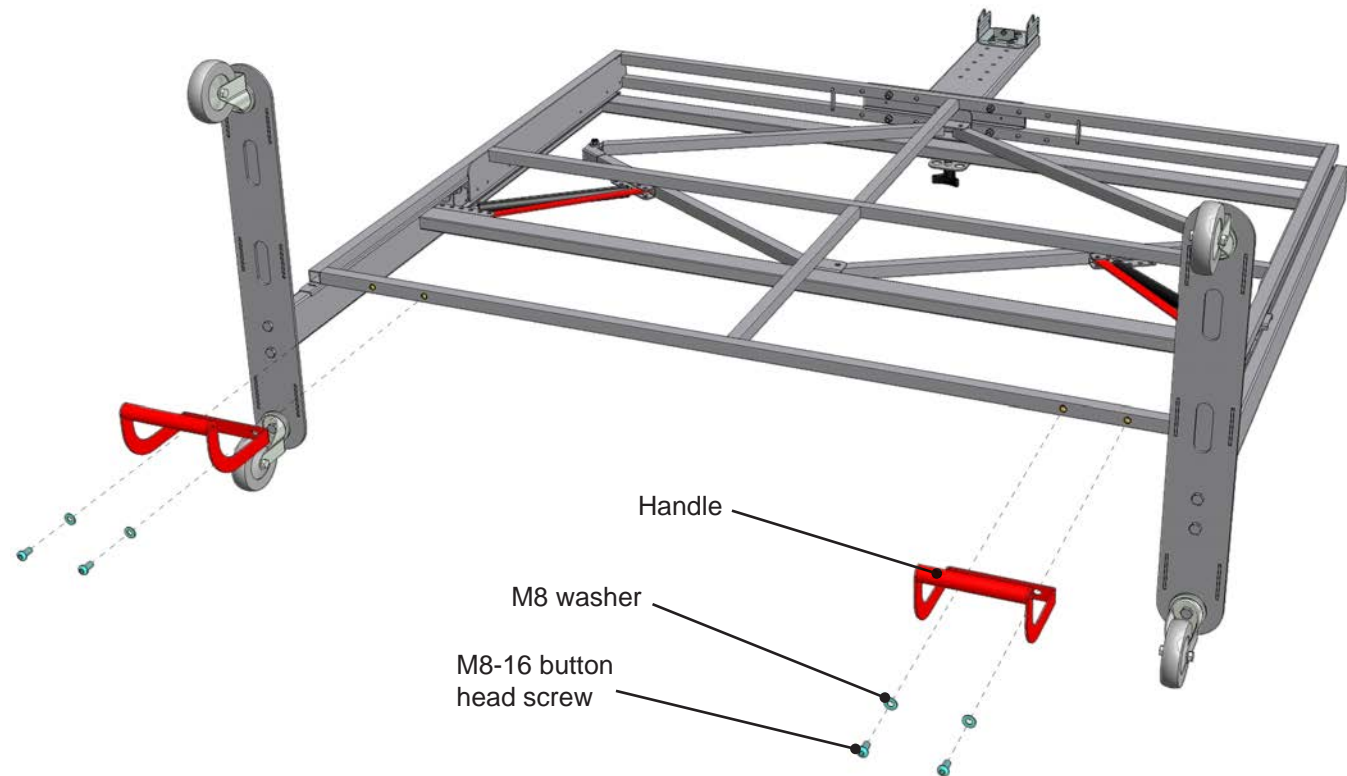
4 - To set the projector to the correct offset for perfect alignment with the StarBoard, use the holes as shown in the diagram (left), and set the upright part of the projector frame extension approximately 690mm from the edge of the frame (as shown).

5 - Once the projector frame extension is position in the correct position, tighten the M8 socket head screw with supplied allen key.

INSTALLATION

Part 4: Lower handles

6 - Attach two of the handles to the lower section of the frame assembly with M8-16 button head screws and washers. Make sure the handles are facing forward.



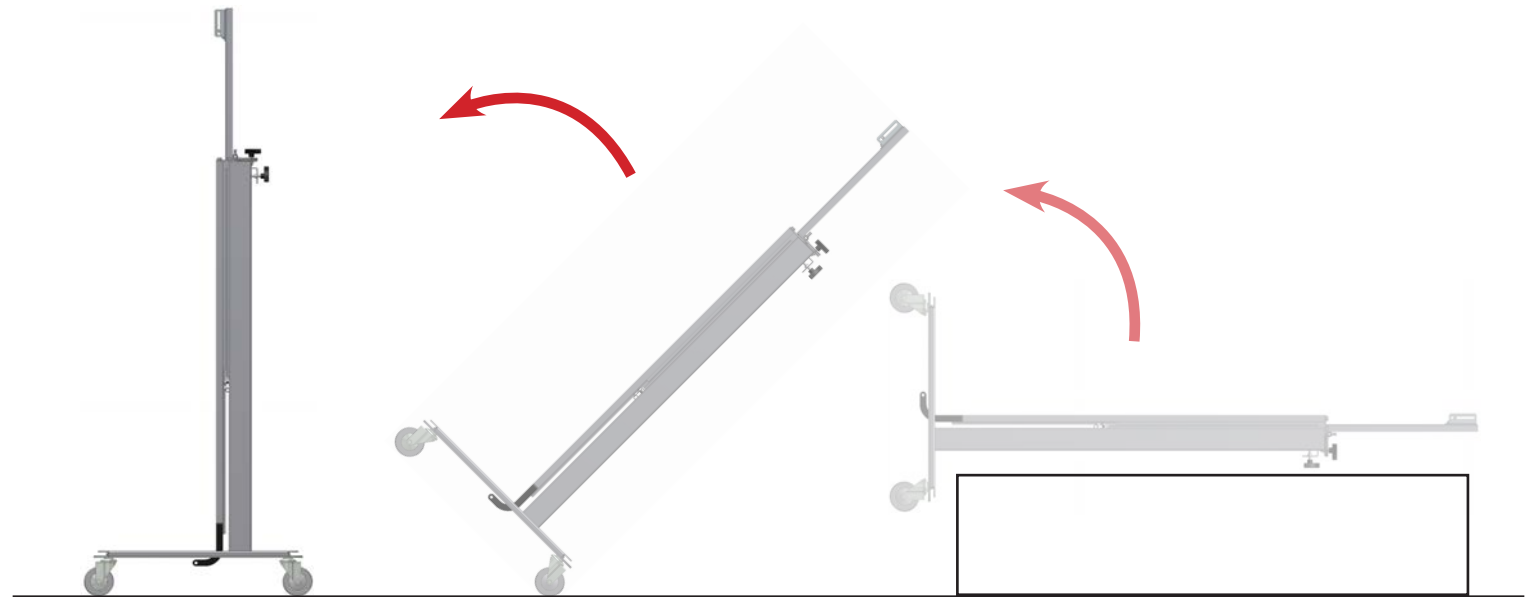
INSTALLATION

Part 5: Stand the Freeframe upright

7 - Stand the Freeframe unit upright from the carton for the next step of installation. Make sure all the castors have the brakes applied before proceeding to the next step.

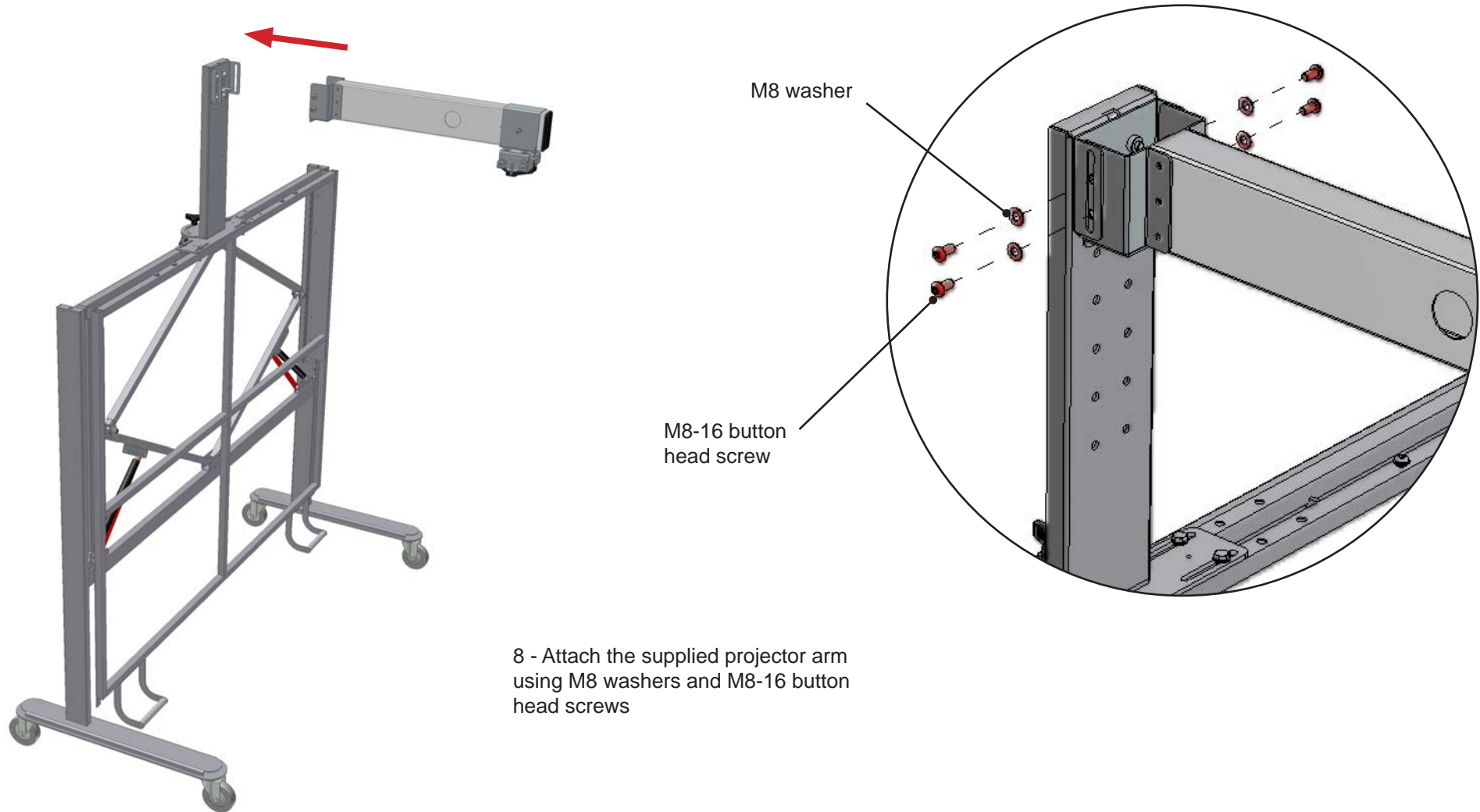


APPLY BRAKES TO CASTORS



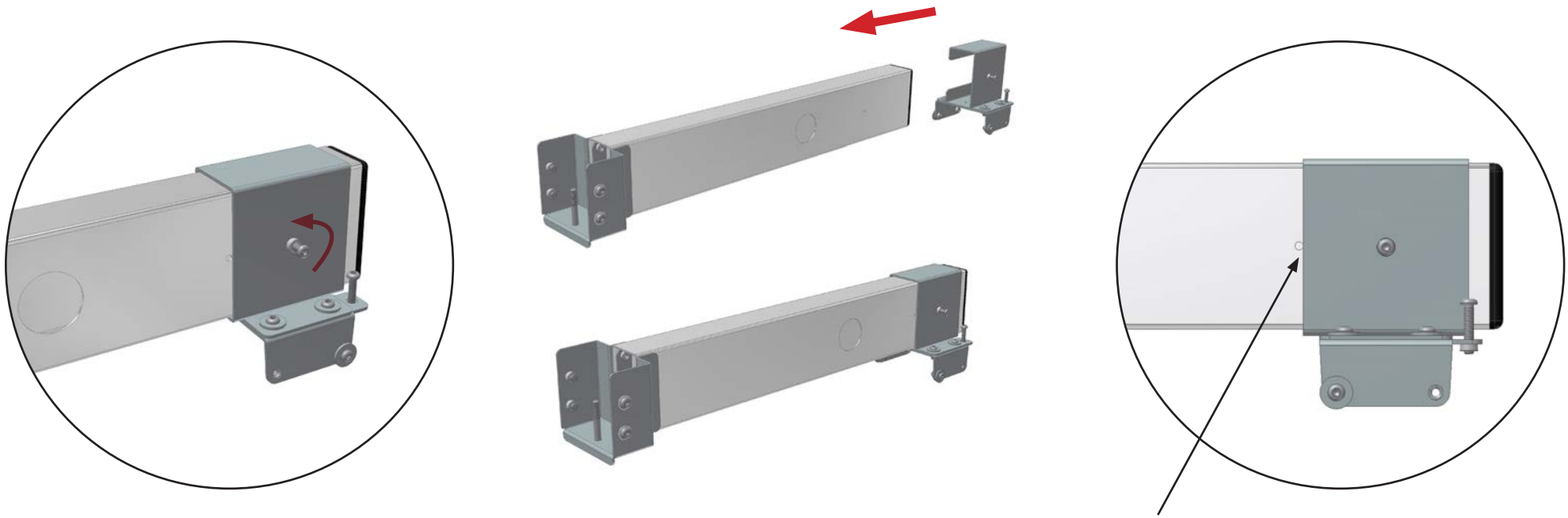
INSTALLATION

Part 6: Attach projector arm



INSTALLATION

Part 7: Adjust projection depth



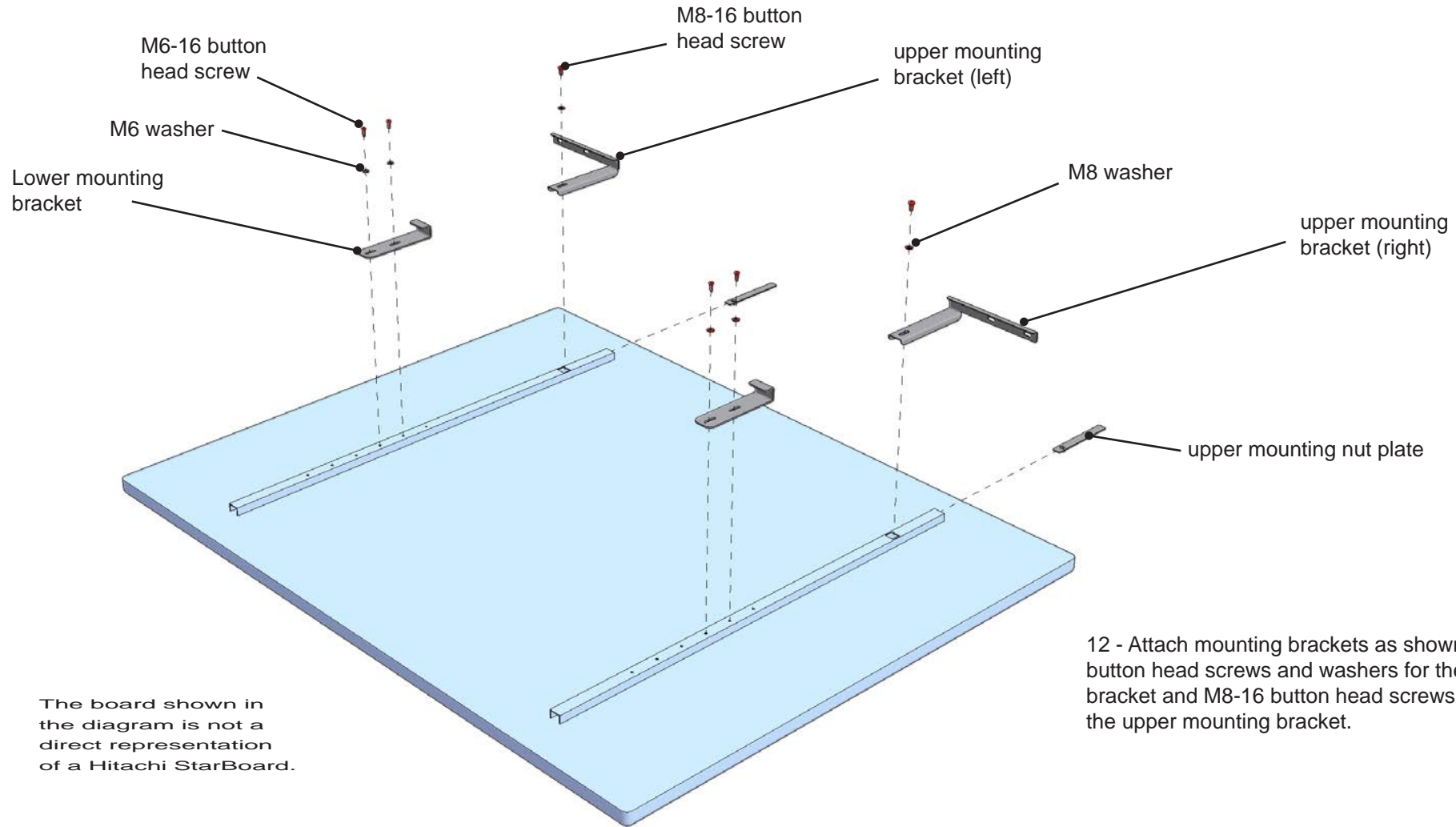
9 - The distance the projector is mounted on the arm relative to the interactive white board is crucial for the projection image to appear the correct size. First, loosen the screw that holds the mounting clamp to allow it to slide freely along the projector arm, using the allen key supplied in the fastener kit.

10 - Line up the mounting clamp tangential to the small hole on the arm as a guide for the correct distance for the Hitachi short throw projector.

11 - Tighten the screw with the allen key to secure the clamp in the correct position.

INSTALLATION

Part 8: Attach mounting brackets

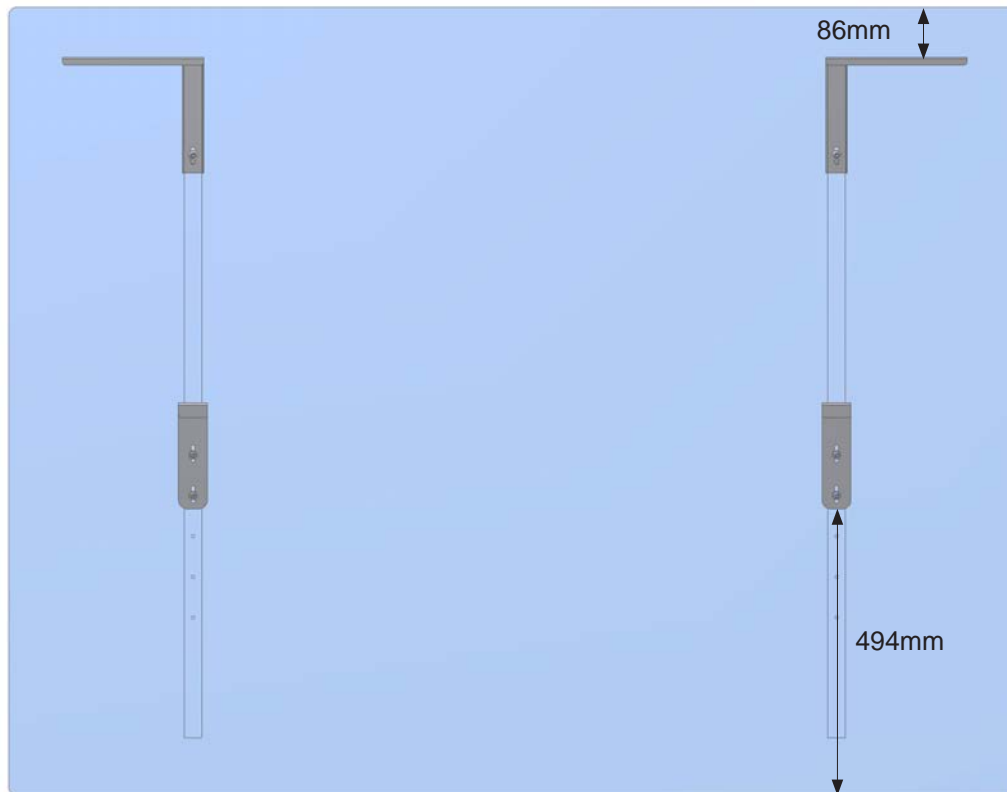


The board shown in the diagram is not a direct representation of a Hitachi StarBoard.

12 - Attach mounting brackets as shown using M6-16 button head screws and washers for the lower mounting bracket and M8-16 button head screws with washers for the upper mounting bracket.

INSTALLATION

Part 9: Position mounting brackets

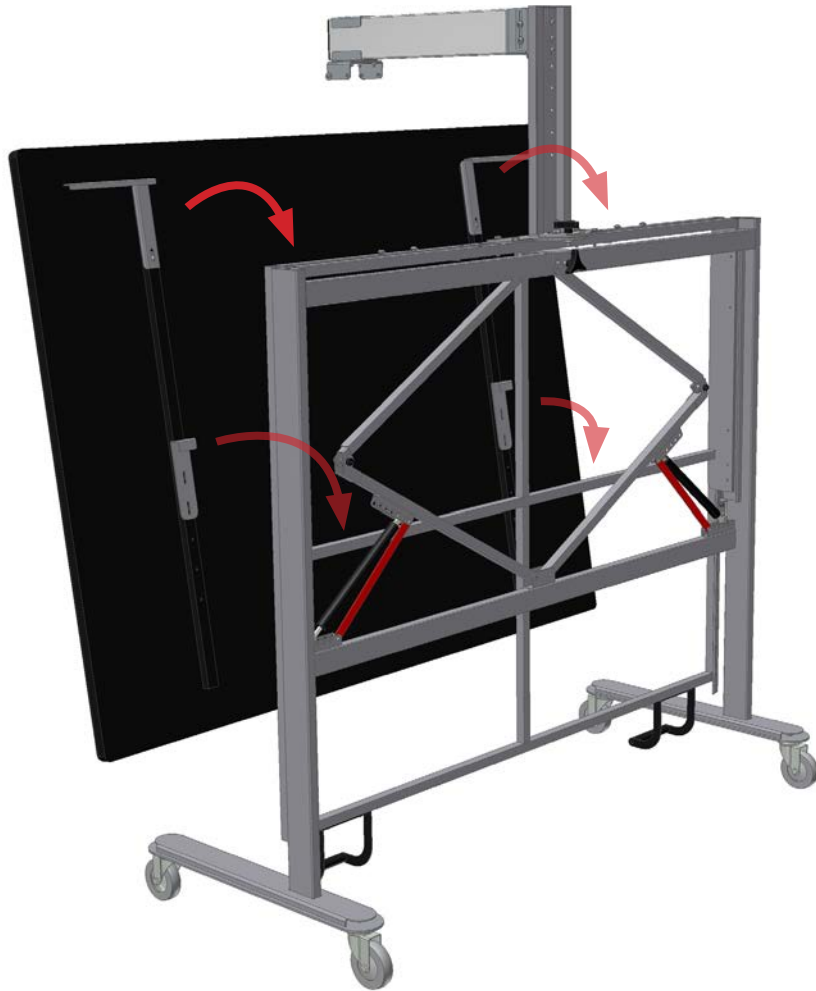


13 - To make sure the board is mounted to the Freeframe unit in the correct position, attach the mounting brackets as shown in diagram.

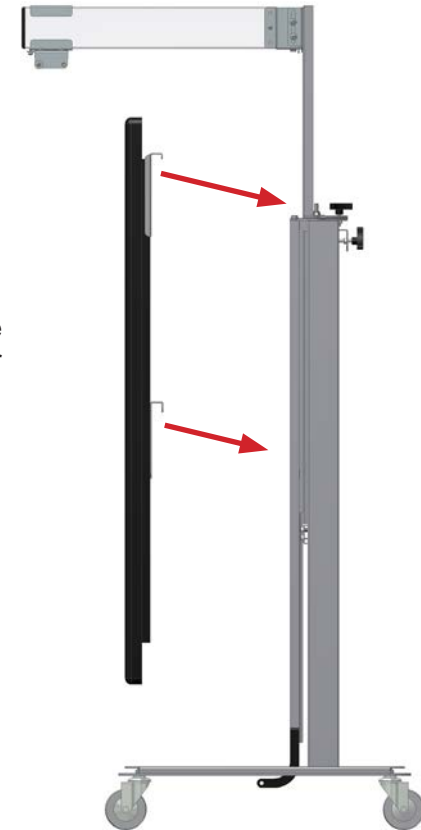
14 - Tighten screws with allen key to make sure the brackets does not move after positioning.

INSTALLATION

Part 10: Attach board



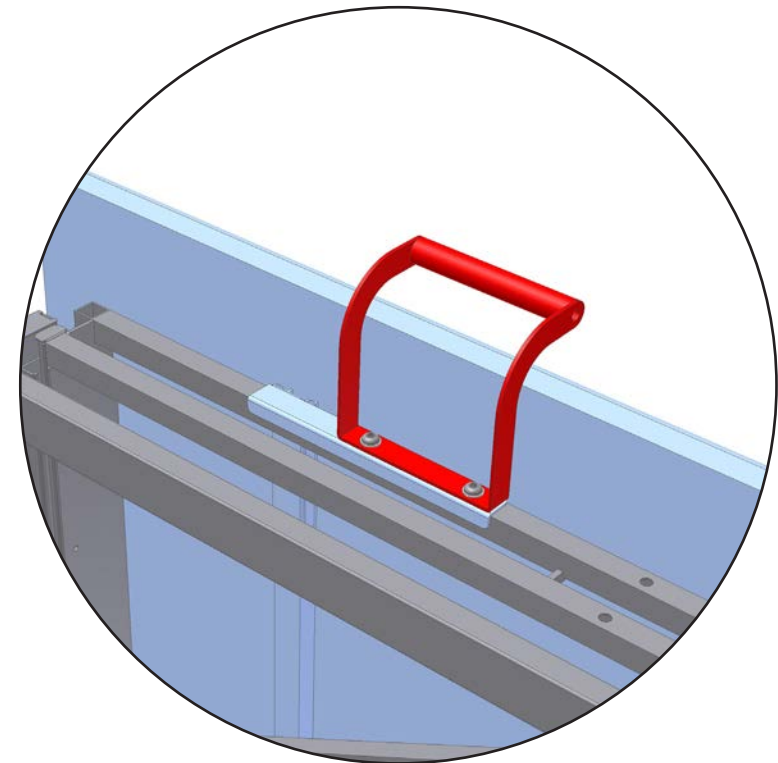
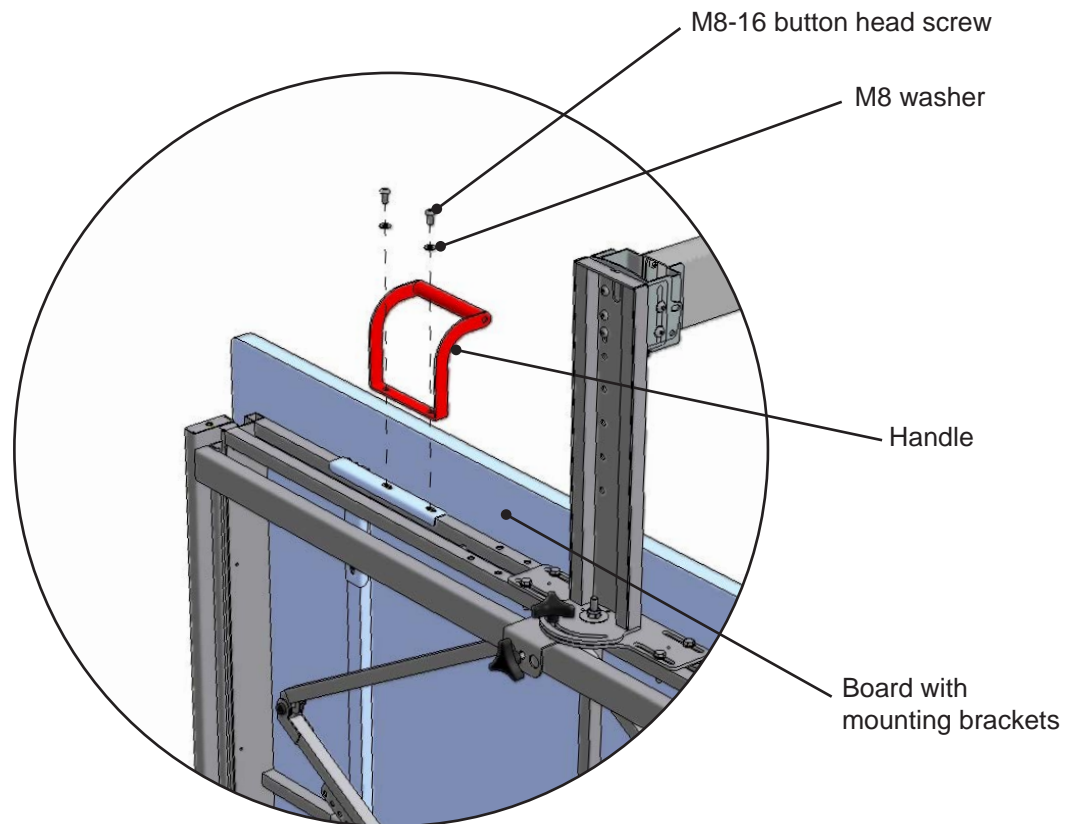
15 - Hook the board on to the frame with the lower hook bracket hooking over the center tube of the freeframe and the upper brackets hooking over the top of the frame.



INSTALLATION

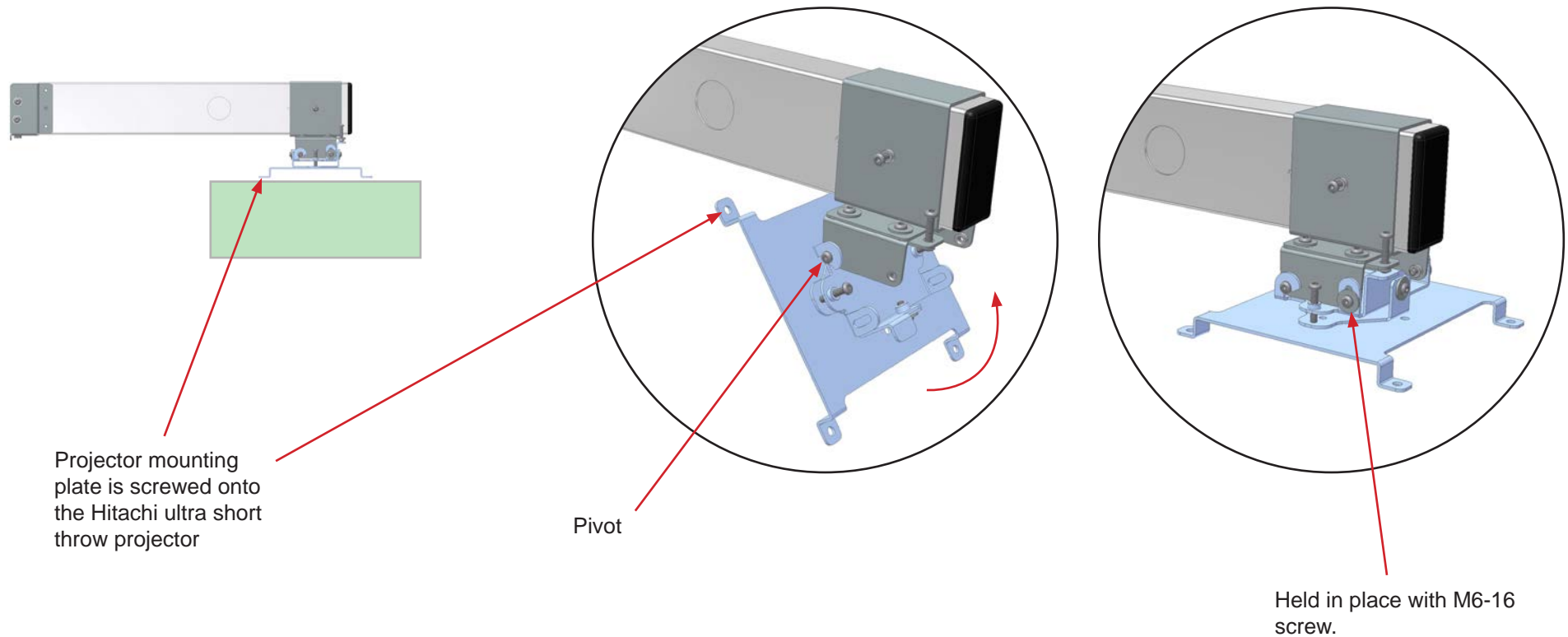
Part 11: Attach handles & securing the board

16 - Attach the handles and secure the board using the M8-16 screws and washer through threaded inserts in the Freeframe.



INSTALLATION

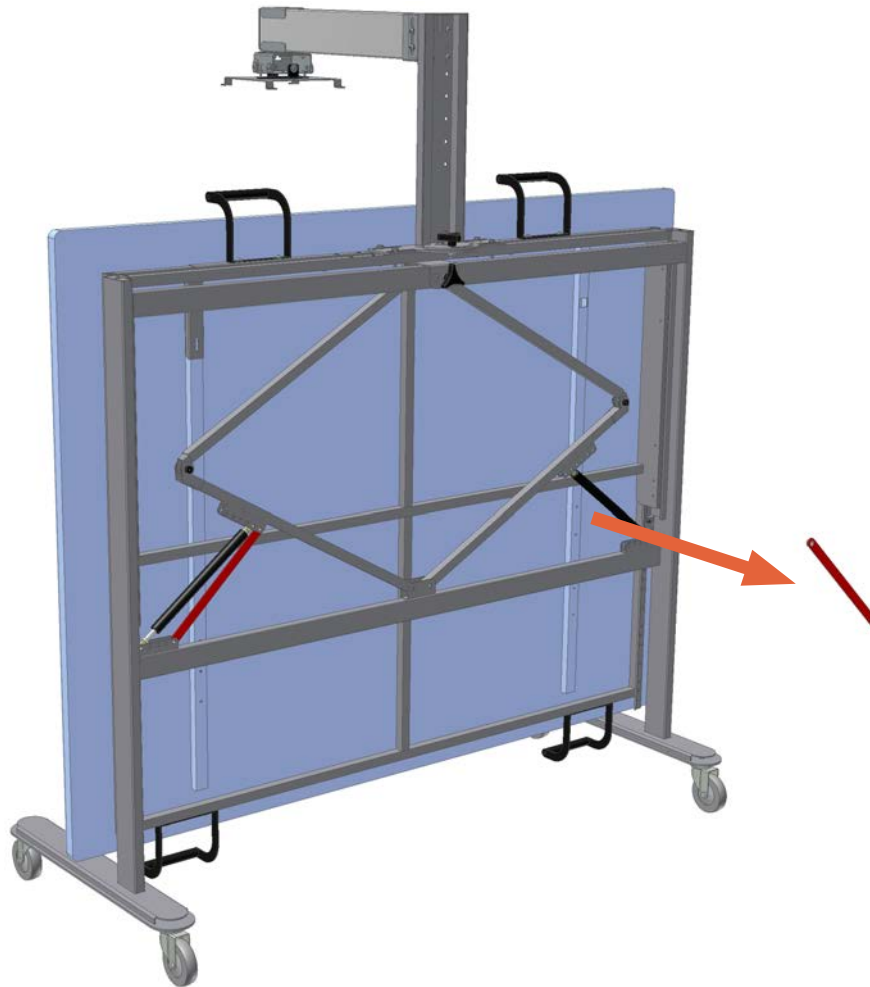
Part 12: Attach Projector



- 17 - Attach the mounting plate onto Hitachi ultra short throw projector.
- 18 - Hook the mounting plate with the projector onto the mounting clamp on projector arm, using the screws on the clamp as a pivot.
- 19 - Pivot the projector upwards and secure in place with M6-16 button head screws.
- 20 - Tighten with supplied allen keys to ensure the projector does not move out of place.

INSTALLATION

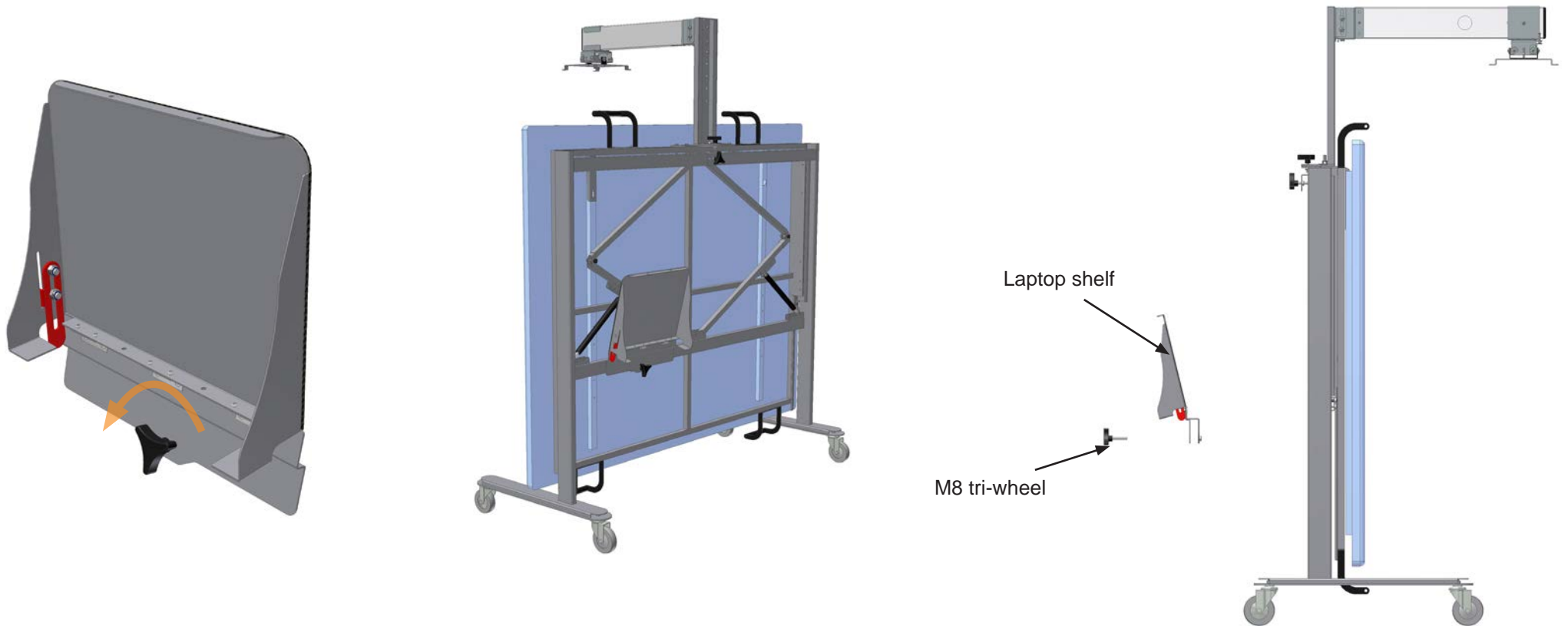
Part 13: Release transport brace



21 - Release the transport brace by undoing the M8-16 button head screws holding the brace to the frame with supplied allen keys.

INSTALLATION

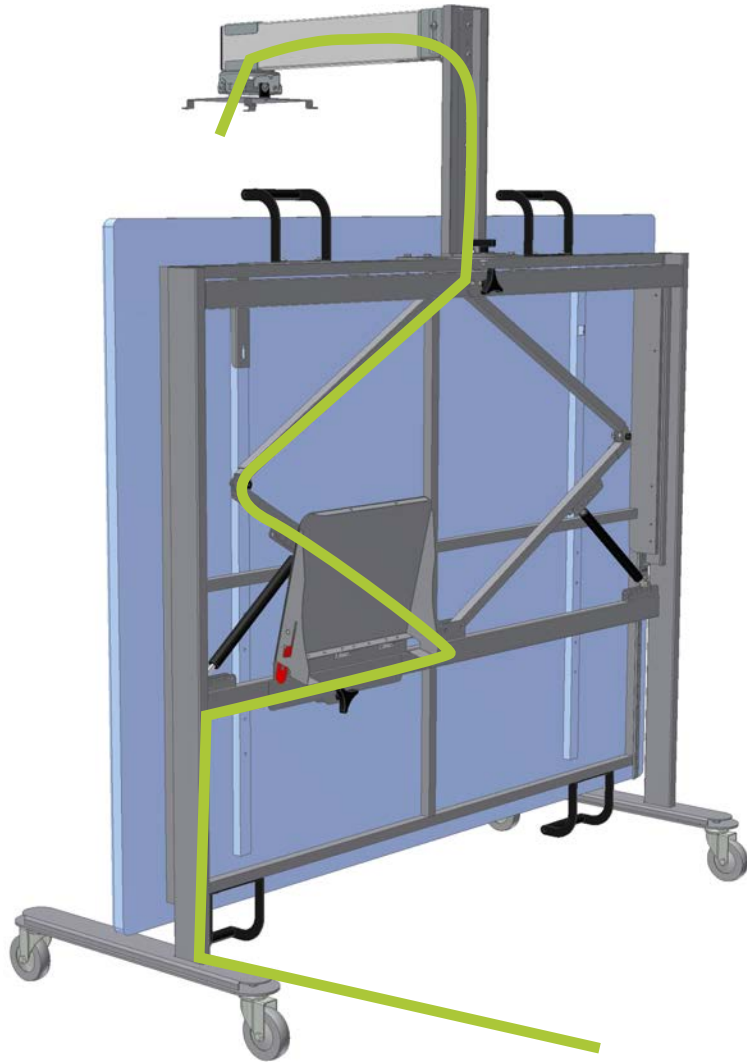
Part 14: Attach laptop shelf



22 - Undo the tri-wheel from the laptop shelf. Hook laptop shelf onto support beam. Re-attach tri-wheel. Slide the shelf to the desired position before fully tightening the tri-wheel by hand.

INSTALLATION

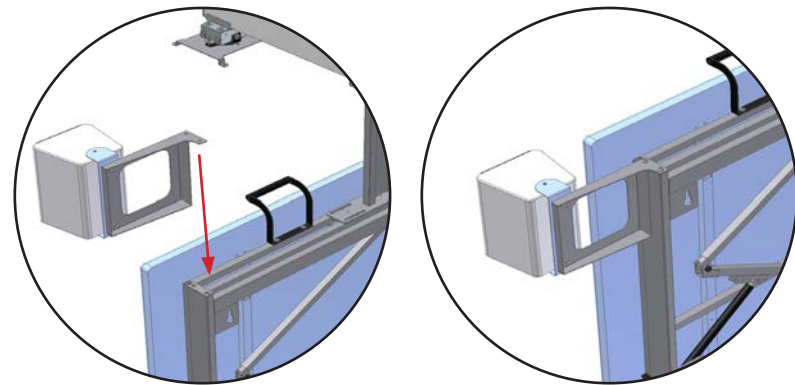
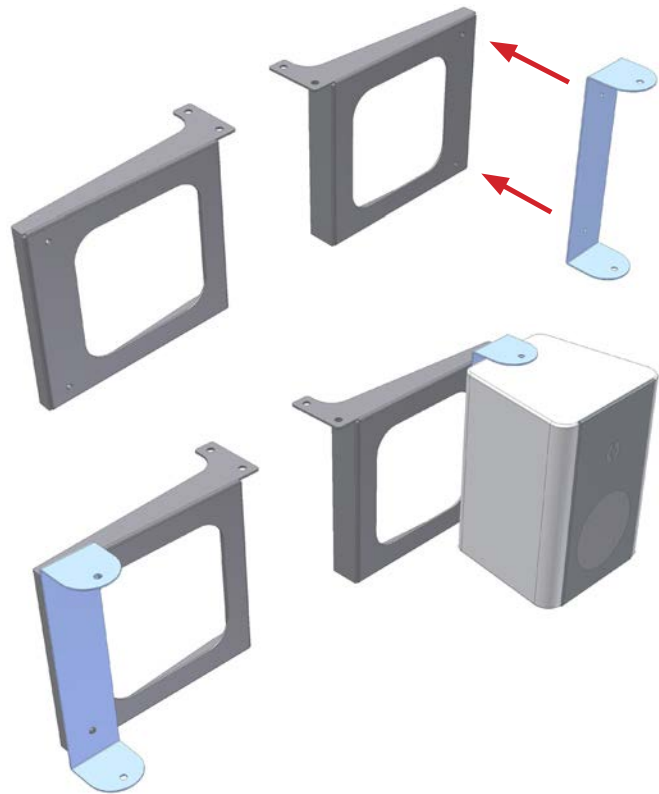
Part 15: Cable management



23 - Cables are tied to the frame and scissor system with cable ties. Use the path show in the diagram as a guide in securing loose cables.

INSTALLATION

Attach speakers

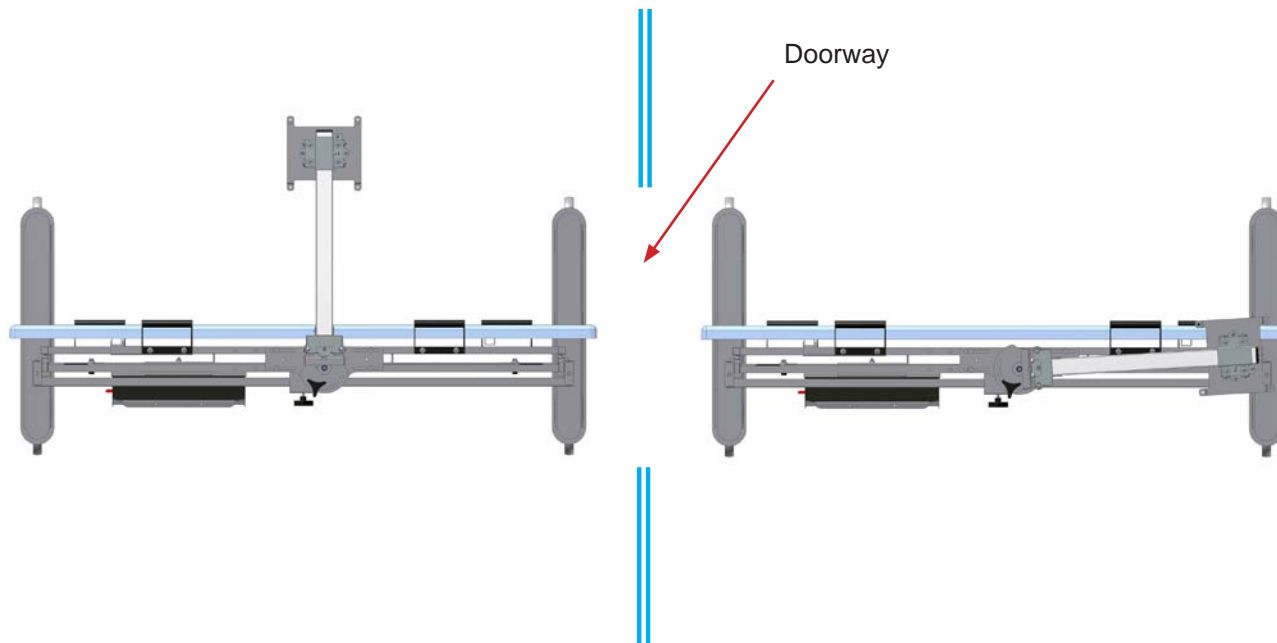


- Attach speaker to speaker mounting brackets using M4 screws. The bracket and speaker is then attached to the Freeframe unit using M8-16 button head screws as shown in the diagrams..

INSTRUCTIONS

Part 2: Projector arm swivel

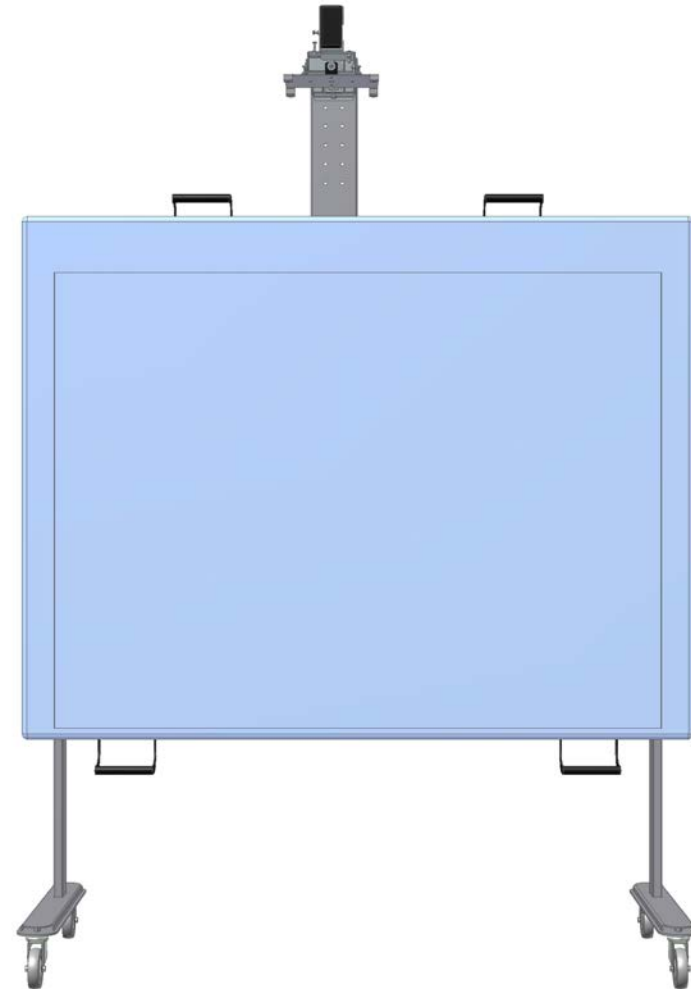
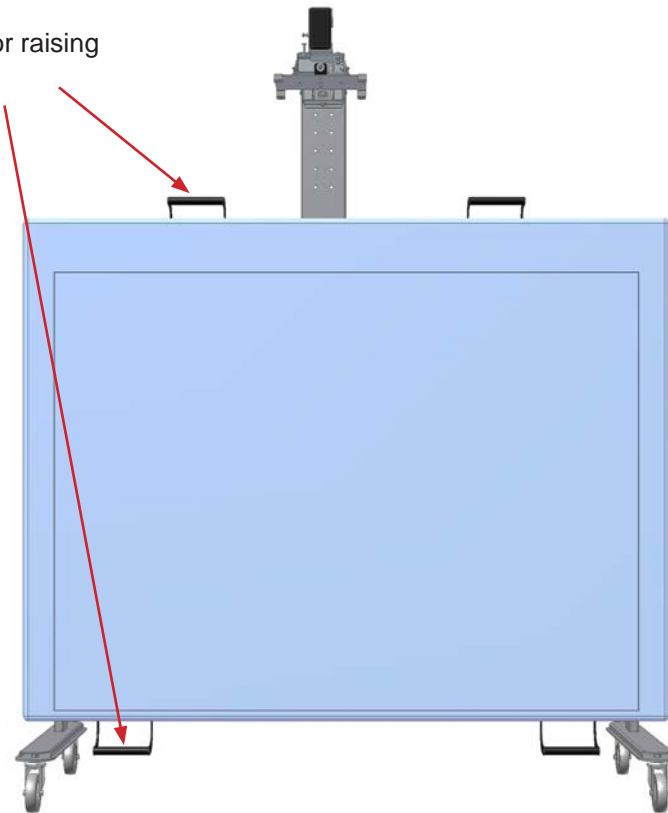
- To fit a fully installed Freeframe through a doorway, the projector must be swiveled out of the way. Loosen tri-wheel on projector frame extension. Swivel the projector to the side, then tighten the tri-wheel.



INSTRUCTIONS

Part 1: Raising the board

Use handles for raising and lowering



- The raising mechanism is operated by gas springs that assists the user making the raising action simple. Use the handles provided for smooth raising and lowering. It is also advised the user do not stand directly in the centre to avoid injury due to collision with the Hitachi ultra short throw projector.