

# SF-P100XAV

10KG TOP LOAD WASHING MACHINE

**10KG WASH LOAD  
IN A 590MM WIDE  
WASHING MACHINE**



## Features

- 10kg Compact Washing Machine
- 3.5 STAR Water Rating
- 4 STAR Energy Rating
- Auto Self Clean Function
- Stylish Toughened Glass Lid with Soft Closing function
- Sensor Safety Lock Lid
- Allergy UK Approved 99% Mold & Bacteria Reduction
- Dynamic-Stream Wash for Efficient circulation of water
- Shower Plus Function
- Quick & Simple 4 Button Control Panel (lid closed)
- Fine Adjustment Settings for individual settings (lid open)
- Powered Inverter controls tub and pulsator rotation speed for optimum operation
- Delay Start Timer
- Auto Restart
- Auto Power Off
- Built-in Spirit Level Indicator
- 750RPM Spin Speed



**POWERED  
INVERTER**

**AUTO  
SELF  
CLEAN**

**AUTO  
SELF  
CLEAN**

## Auto Self Clean – The Tub Stain Fighter

Don't remove dirt, stop it from building up – every time you do your laundry, the washing machine automatically cleans itself!

In a washing machine, dirt doesn't easily accumulate where water collects or where it hits during spin-drying. In places that aren't touched by water, however, dirt gradually accumulates with use.



Dirt on the outside of the stainless steel tub



Dirt on the inside of the outer tub



Dirt on the bottom of the stainless steel tub

### Tub Clean Program for Attached Dirt

Auto Self Clean cannot remove accumulated dirt. Using special detergent, the Tub Clean program thoroughly removes attached dirt. Regularly using this program together with Auto Self Clean keeps the tub clean.

A shower of clean water cleans both the tubs as the stainless steel tub rotates at high speed.



Inside of the outer tub

Outside of the stainless steel tub

Blades and tub rotate to powerfully agitate water in the stainless steel tub and clean off dirt.



Bottom of the stainless steel tub

Bottom of the outer tub  
Behind the blades



Effective removal of mold and bacteria endorsed by Allergy UK



## Dynamic - Stream Wash



Images are for illustrative purposes only.

Highly concentrated detergent solution penetrates deep into clothes to thoroughly remove dirt. With Hitachi's original 4-Step Penetration Wash and the large volume of powerfully circulating water from Dynamic Wide Shower, highly concentrated detergent solution fully penetrates fibers in clothes for uniform washing to provide an incredibly white finish.

## Dynamic Wide Shower for Powerful Washing

Dynamic Wide Shower and powerful horizontally rotating water flow created by the pulsator, ensure clothes are thoroughly washed. Efficient circulation of a large volume of water effectively removes dirt from deep in fibers.



### 4-Button Control



With just four buttons, you can easily adjust wash settings while the unit is operating. Thanks to the simple, easy-to-use buttons and the glass top design, you can adjust water power and water level while looking at clothes being washed in the tub.

### Fine Adjustment Settings



With the lid open, you have full access to all control settings and programs. In addition, settings are shown on a large LED display that makes it easy to perform fine adjustments with the lid open or closed.



- 4x Sheets
- 8x Bath towels
- 3x Tablecloths
- 4x Shirts
- 6x T-shirts
- 6x Pillow cases
- 6x Undershorts
- 4x Wash Cloths
- 2x Handkerchiefs
- 43\* ITEMS TOTAL**

\*tested as per AS/NZS 2040.1:2009



POWERED INVERTER



## 4-Step Penetration Wash for Powerful, Deep Detergent Performance

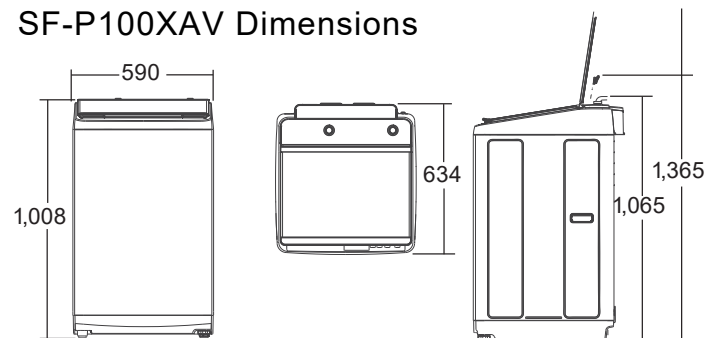
This washing method maximizes cleaning power by making highly concentrated detergent solution by strongly agitating water and detergent at the bottom of the tub to dissolve it.

This detergent solution penetrates deep into fabrics to wash away even stubborn dirt and stains.



1. Detergent via the detergent case reaches the bottom of the tub where the pulsator powerfully agitates it in the low levels of water to thoroughly dissolve it and create a highly concentrated detergent solution.
2. As water levels increase the concentrated detergent solution to penetrate deep into the fibers of clothes.
3. The higher water level assures that the detergent comes into complete contact with the surface of clothes and washing starts.

### SF-P100XAV Dimensions



590mm (W) x 1,065mm (H) x 634mm (D)  
Including drain hose and water supply hoses