

SF-P130XWW

13KG TOP LOAD WASHING MACHINE

ULTRA-LARGE, REGULAR SIZED, WASHING MACHINE



Features

- 13kg Ultra Large Capacity
- 4 Star Water Rating
- 3 Star Energy Rating
- Auto Self Clean Function
- Stylish Toughened Glass Lid with Soft Closing function
- Sensor Safety Lock Lid
- Allergy UK Approved 99% Mold & Bacteria Reduction
- Sparkle Beat Wash
- Shower Plus Function
- Tangle-Free Finish
- Quick & Simple 4 Button Control Panel (lid closed)
- Fine Adjustment Settings for individual settings (lid open)
- Powered Inverter controls tub and pulsator rotation speed for optimum operation
- Delayed Start Timer
- Auto Power Off
- 11 Washing Programs
- Built-in Spirit Level Indicator
- 800RPM Spin Speed



POWERED INVERTER

AUTO SELF CLEAN

AUTO SELF CLEAN

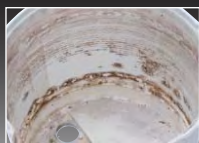
Auto Self Clean – The Tub Stain Fighter

Don't remove dirt, stop it from building up – every time you do your laundry, the washing machine automatically cleans itself!

In a washing machine, dirt doesn't easily accumulate where water collects or where it hits during spin-drying. In places that aren't touched by water, however, dirt gradually accumulates with use.



Dirt on the outside of the stainless steel tub



Dirt on the inside of the outer tub



Dirt on the bottom of the stainless steel tub

*Hitachi washer-dryer. The level of dirt differs depending on conditions of use.

Tub Clean Program for Attached Dirt

Auto Self Clean cannot remove accumulated dirt. Using special detergent, the Tub Clean program thoroughly removes attached dirt. Regularly using this program together with Auto Self Clean keeps the tub clean.

A shower of clean water cleans both the tubs as the stainless steel tub rotates at high speed.



Inside of the outer tub

Outside of the stainless steel tub

Blades and tub rotate to powerfully agitate water in the stainless steel tub and clean off dirt.



Bottom of the stainless steel tub

Bottom of the outer tub

Behind the blades



Effective removal of mold and bacteria endorsed by Allergy UK



Sparkle Beat Wash



Beat Shower

Thanks to the blades on the bottom of the Beat Blade, water is pushed upwards. With powerful showers from two outlets in the drum, the Beat Blade circulates water and agitates clothes to prevent tangling and assure thorough washing and rinsing.



Beat Blade

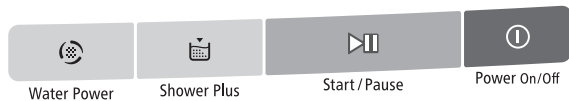
The large blades generate a strong water flow that agitates clothes, while the small blades create smaller water flows of different strengths. Thanks to the combination of these water flows, clothes are moved around more efficiently.



Beat Drum

The drum wall features 186 slender projections with a streamlined shape that cause water flow generated by Beat Blade to move upwards smoothly. The projections provide a washboard effect that efficiently removes stubborn dirt.

4-Button Control



With just four buttons, you can easily adjust wash settings while the unit is operating. Thanks to the simple, easy-to-use buttons and the glass top design, you can adjust water power and water level while looking at clothes being washed in the tub.

Fine Adjustment Settings

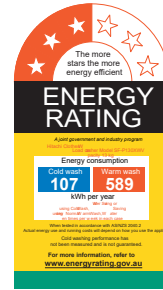


With the lid open, there is full access to all Fine Adjustment control settings and programs. In addition, settings are shown on a large LED display that makes it easy to perform fine adjustments.



- 5x Sheets
 - 9x Bath towels
 - 4x Tablecloths
 - 5x Shirts
 - 8x T-shirts
 - 8x Pillow cases
 - 9x Undershorts
 - 9x Wash Cloths
 - 8x Handkerchiefs
- 65* ITEMS TOTAL**

*tested as per AS/NZS 2040.1:2005



POWERED INVERTER

AUTO SELF CLEAN

4-Step Wash

This washing method maximizes cleaning power by making highly concentrated detergent liquid that penetrates deep into fabrics to wash away dirt and stains.



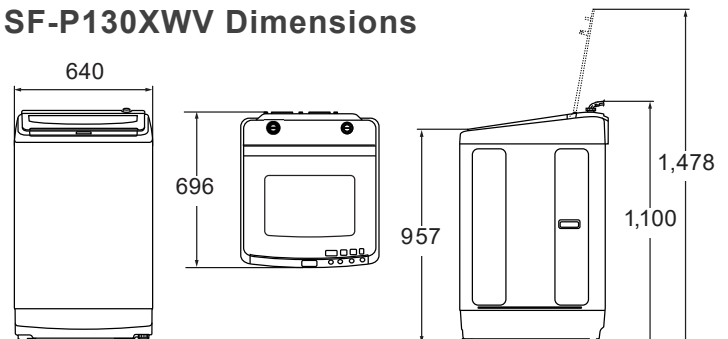
Step 1: The lowest level of water is used to dissolve the detergent under the blade.

Step 2: A higher level of water enables the condensed detergent solution to penetrate deep into the fibers of clothes.

Step 3: The third level of water assures that the detergent comes into complete contact with the surface of clothes.

Step 4: Washing with the normal level of water eliminates stubborn dirt made easier to remove by the previous three steps.

SF-P130XWV Dimensions



640mm (W) x 1,100mm (H) x 696mm (D)
Including drain hose and water supply hoses